

<b>Technical Data</b>	<i>Terra Dos 5-30</i>	<i>Terra Dos 5-40</i>
-----------------------	-----------------------	-----------------------

Engine	Mercedes-Benz OM 473, exhaust gas standard stage V incl. AdBlue and SCR-Cat	
Cylinder	R-6	
Piston displacement	952.76 cubic inches (15.6 liters)	
Rated engine speed	1,600 rpm	
Rated power at 1,600 rpm	480 kW / 652 horsepower	
Max. torque from 1,050 to 1,300 rpm	2,289.74 lb-ft (3,100 Nm)	
Fuel tank capacity	Approx. 303.81 gallons (approx. 1,150 liters), additional connection for tank truck filling	
AdBlue tank capacity	Approx. 25.1 gallons (approx. 95 liters)	

<b>Propulsion</b>		
-------------------	--	--

Hydrostatic propulsion	Single axle hydraulically powered on the front and rear axle	Single axle hydraulically powered on front and middle axle Rear axle powered by drive shaft of middle axle
	Automatic adaptation of the lead depending on the slope gradient during harvesting and while turning; zero lead during road driving	
Driving speeds	1st Gear (field gear): 0 to 8.08 mph (13 km/h), continuously variable 2nd Gear (street gear): 0 up to 24.85 mph (40 km/h), continuously variable (depending on country-specific formalities) Automotive driving mode incl. automatic speed reduction and speed control (1st and 2nd gear)	

<b>Axles</b>		
--------------	--	--

Axles	Front: Planetary portal steering axle Rear: Planetary steering axle	Front: planetary portal steering axle Centre: planetary steering axle Rear: ring-mounted, oscillating planetary steering axle
Differential locks	All axles with switchable locks	

<b>Chassis</b>		
----------------	--	--

Steering modes	Central tube frame, front car designed as articulated part Four-wheel steer, turn steer (incl. articulated), four-wheel steer, diagonal steer left/right, 2 levels selectable, and combi steer Automatic steering via leaf feeler or coulter body including mix controls On-road driving with articulated steer (up to 13 km/h) Sprung comfort chassis (Terra Dos 5-30: 3rd and 4th axle; Terra Dos 5-40: only 4th axle) for road driving, height-adjustable for driving over fields	
----------------	---	--

<b>Tyres</b>		
--------------	--	--

	Front: 800/70 R 38	Front: 800/70 R 38
		Centre: IF 1050/55 R 32
	Rear: IF 1000/55 R 32	Rear: IF 1050/55 R 32

<b>Brakes</b>	
---------------	--

Service brake	Hydraulic drum brake
Parking brake	Spring-loaded parking brake

<b>Hydraulic System</b>	
-------------------------	--

	Hydraulic tank capacity: Approx. 45 gallons (approx. 170 liters) Load-sensing work hydraulics
--	--

<b>HOLMER EcoPower</b>	
------------------------	--

	Diesel engine and traction drive management with characteristic control Lifting at low engine speed from 1,050 rpm Load-shifting lamellar clutches for decoupling pump lines during road driving
--	--

<b>Comfort Cabin</b>	
----------------------	--

	2 x windscreen wipers including interval and wash function Automatic climate control Hydrodynamic cabin suspension for optimal noise and vibration insulation Underfloor heating Integrated Hoover Seat: GRAMMER driver's seat with lumbar support, seat ventilation, and seat heating Charging cradle for smartphones, wireless charging
--	---

<b>Innovative Operating Concept:</b>	
--------------------------------------	--

HOLMER SmartDrive	12.1-inch HOLMER EasyTouch touchscreen terminal Ergonomic multi-function arm rest incl. joystick and jog-dial can be operated and saved with quick access key settings of all units via softkeys Fault memory function and diagnostics menu including export via USB interface Armrest on the left for discharge elevator control and bunker emptying incl. automatic emptying function
-------------------	--

<b>Illumination</b>	
---------------------	--

Headlights	2 x dipped-beam headlights LED 2 x high-beam headlights LED
------------	--

<b>Work lights</b>	
--------------------	--

	1 x LED strip cabin close-up range 1 x LED strip cabin far range 2 x LED strip cabin platform (right and left) 2 x LED strip harvesting unit 2 x LED strip topper 2 x LED strip cleaning unit 1 x LED headlight bunker 2 x LED strip rear axle (right and left) 2 x LED strip unloading belt 2 x LED strip tail top
--	--

<b>Camera System</b>	
----------------------	--

	Up to 4 cameras, transfer web belt (zoomable), camera for unloading belt, and rearview camera, Intelligent 360° camera – TopView
--	--

<b>Centralised lubrication</b>	
--------------------------------	--

	BEKA-MAX, electronically controlled, under and over pressure monitored (Terra Dos 5-30 with min. (depending on equipment) 141 lubrication points; Terra Dos 5-40 with min. (depending on equipment) 171 lubrication points) Intermittent lubrication and manual actuation can be set over the terminal
--	---

Topper	<p>Topper without feeler wheels incl. automatic height control, height adjustment via joystick. Fast lifting at the push of a button on the joystick. Models: HS I (I = Integral topper), 6 to 12 rows. HS KO (KO = can be switched from leaf centrifuge to integral function), only 6 rows.</p>
--------	--

Scalper	<p>HOLMER DynaCut – weight-optimized parallel scalper with automatic cutting thickness. Scalper thickness of all blades can be set centrally from the driver's seat. Preload by spring on the unit – adjustable in 3 steps.</p>
---------	---

Lifting unit	<p>Independently adjustable single-row units. Length-adjustable feed mechanism shaft. Roller track with 7 lifting and cleaning rollers, parallel adjustable (height and length). 4 short lifting and gathering rollers. Automatic reversing of the last lifting rollers. Adjustable speed of the lifting rollers (300-600 rpm). Automatic depth control via feeler wheels, adjustable lead. Side slope automatic over slope sensor. 2.76 inches (70 mm) lateral movability of all coulter bodies. EasyLift: automatic single-row depth control (series for working widths over 10.8 ft or over 3.30 m in metrics). Models: VHR 6, HR 6 to 12.</p>
--------------	---

Cleaning	
Transfer web	Reversible 35.43 inches transfer web made of ultraflexible continuous material, divided into 1.97, 2.36, or 2.76 inches (50, 60 or 70 mm).
Turbine system	<p>1st turbine with 1,755 mm (69.09 inches) diameter. 2nd turbine with 1,620 mm (63.78 inches) diameter. 3rd turbine with 1,620 mm (63.78 inches) diameter. Adaptive cleaning plus with automatic speed monitoring and adjustment, depending on driving speed. Wear-resistant turbine single-tines, forged.</p>

Grates	<p>Partial segment grates or spring-tine grates, combinable, also available with fast-swap frames. Height of all screen grates can be adjusted centrally and steplessly from the driver's seat, with display at the terminal.</p>
--------	---

Elevator	<p>Width 39 inches (1,000 mm); ultraflexible dual cam industrial straps with forged steel actuators. Sliding rails in elevator channel.</p>
----------	---

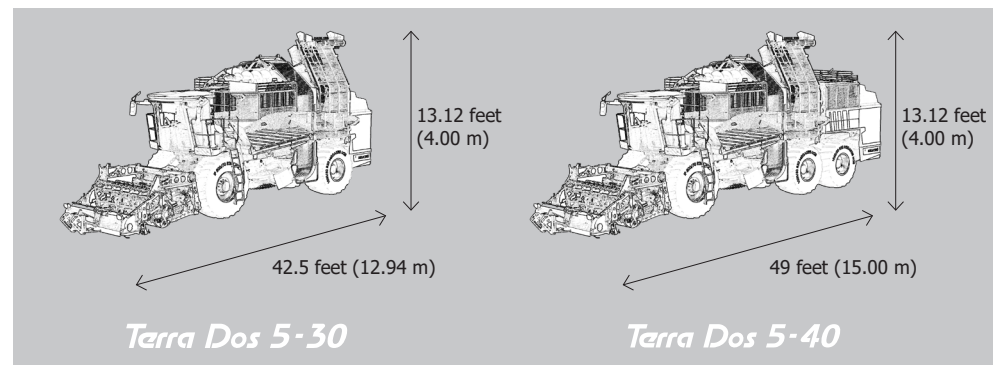
Bunker	<p>Approx. 1,058 cubic feet / 21,000 lbs (Approx. 30 m<sup>3</sup> / 21 t)      Approx. 1,585 cubic feet / 31,000 lbs (Approx. 45 m<sup>3</sup> / 31 t)</p>
--------	---

Filling	<p>2-zone bunker auger with freewheel coupling.  Electronic fill-level monitoring over 2 ultrasound sensors. Automatic holding tank filling, can be switched off manually.</p>
---------	--

Slat conveyors	<p>1 transverse and 1 longitudinal slat conveyor, each with 4 high-strength tempered drive chains. Drive system centrally lubricated.</p>	<p>2 transverse and 1 longitudinal slat conveyor, each with 4 high-strength tempered drive chains. Drive system centrally lubricated.</p>
	Automatic, hydraulic chain tension. Hardox® scraper floor rails.	
Unloading	Automatic and manual control possible; unloading belt with adjustable speed.	
	1,058 cubic feet in approx. 40 sec (30 m <sup>3</sup> in approx. 40 sec)	1,585 cubic feet in approx. 50 sec (45 m <sup>3</sup> in approx. 50 sec)
Discharge elevator	2 hydraulically bent articulated parts (XL discharge elevator). Memory function for unloading height and position of last articulated part incl. contour mode. Width: 71 inches (1,800 mm).	

Dimensions and Weight		
Length overall / length across everything	42.5 feet (HS I) (12.94 m)	49 feet (HS KO) (15.00 m)
Width	9.84 feet (3.00 m) (with a row spacing of 18 inches (45 cm); IF 1000/55 R 32) or 10.83 feet (3.30 m) (with a row spacing of 20 inches (50 cm) or 18-20 inches (45-50 cm))	9.84 feet (3.00 m) (with a row spacing of 18 inches (45 cm); IF 1000/55 R 32) or 10.83 feet (3.30 m) (with a row spacing of 20 inches (50 cm) or 18-20 inches (45-50 cm))
Height	13.12 feet (4.00 m)	13.12 feet (4.00 m)
Wheelbase	18.80 feet (5.73 m)	18.80 feet / 6.95 feet (5.73 m / 2.12 m)
Smallest turning circle (inner)	21.33 feet (6.50 m)	21.33 feet (6.50 m)
Weight	From 59,525 lbs (HS I) (from 27 t)	from 66,139 lbs (HS KO) (from 30 t)

Optional equipment on request



Subject to modifications for technical progress; approved by TÜV and the trade association; in accordance with the CE regulations. Machine equipment depending on country-specific formalities.